



Vegetable Slicer
PREP4YOU Vegetable Slicer -
Variable Speed - No discs included -
UK plug

ITEM # _____

MODEL # _____

NAME # _____

SIS # _____

AIA # _____



600973 (DVSVSG)

Vegetable Slicer with variable speed 500-1200 rpm, UK plug

Short Form Specification

Item No. _____

Vegetable slicer ensures consistent cutting results thanks to the design patented lever-pusher. Constructed in a sturdy plastic material. 1,25 liters transparent half-moon hopper. Vegetables can be fed directly into the half moon hopper, a pusher presses the vegetables against the cutting discs ensuring an even cut in minimal time. 2 small hoppers for precise cuts on long vegetables dia. 55mm or 25mm. Ideal for grating, slicing/wavy slice, julienne and dicing. A safety micro switch stops the blade when the feed hopper is opened. No-volt release system prevents accidental start of the appliance. All parts in contact with food are removable and Dishwasher safe. Variable speed with 5 levels (500 to 1200 rpm) for high quality cuts. With UK plug.

Main Features

- Vegetable slicer with slicing, grating, shredding (julienne) as well as dicing and French fries cutting capability.
- Continuous feed model.
- Equipped with half moon hopper (1,25lt capacity) and 2 small round feed chutes: Ø 25mm and Ø 55mm, for precise slicing of long shaped vegetables.
- Uniform cuts and maximised load capacity, thanks to the design patented lever-pusher.
- Large output chute for efficient ejection. Fits up to 200mm high standard kitchen containers (like GN) under the output chute.
- Pulse function for quick and precise slicing and grating.
- Ergonomical frontal lever, suitable for left handed and right handed operators.
- Vegetable slicer blade stops when lever pusher is lifted for operator safety.
- Optional discs and grids available of various sizes for slicing, dicing, grating and shredding (diam. 175mm).
- All parts in contact with food are removable without the use of tools, completely dismountable and dishwasher safe.
- Easy to clean and waterproof control panel with flat on/off button and pulse function.
- Productivity up to 100 settings per service.
- Flexibility for high quality cuts: 5-level variable speed (500-1200 rpm) can be adjusted according to consistency of ingredients.

Construction

- compact design, easy to move and store.
- IPX5 (IP55) waterproof, flat, touch-control panel.
- Main switch ON/OFF on the back of the appliance.
- Asynchronous industrial motor with no brushes for high reliability and quiet functioning, stainless steel motor shaft.
- Motor power: 750 Watt.
- Food safety assured in accordance to European directives and UK legislation. In addition, materials in contact with food, are BPA-free.
- Product safety conform to European directives, UK legislation and international health and safety standards.

APPROVAL: _____



Vegetable Slicer PREP4YOU Vegetable Slicer - Variable Speed - No discs included - UK plug

Included Accessories

- 1 of Ejector for Vegetable Slicer PNC 650232

Optional Accessories

- Cleaning tool for TRS, TRK & TR210 5-8-10 mm dicing grids PNC 650110
- Set of 3 discs dia. 175mm (slicer 2mm, slicer 5mm, grater 3mm) PNC 650196
- Set of 6 discs dia. 175mm (slicer 2mm, slicer 5mm, grater 3mm, grater 7mm, slicer 10mm, grid 10x10mm) PNC 650197
- Stainless steel grating disc 2 mm (dia. 175mm) PNC 650198
- Stainless steel grating disc 3 mm (dia. 175mm) PNC 650199
- Stainless steel grating disc 4 mm (dia. 175mm) PNC 650205
- Stainless steel grating disc 7 mm (dia. 175mm) PNC 650207
- Parmesan Disc PNC 650208
- Stainless steel shredding disc 2 mm (dia. 175mm) PNC 650209
- Stainless steel shredding disc 4 mm (dia. 175mm) PNC 650210
- Stainless steel shredding disc 8 mm for French fries (dia. 175mm) PNC 650211
- Stainless steel slicing disc 1 mm (dia. 175mm) PNC 650213
- Stainless steel slicing disc 2 mm (dia. 175mm) PNC 650214
- Stainless steel slicing disc 3 mm (dia. 175mm) PNC 650215
- Stainless steel slicing disc 5 mm (dia. 175mm) PNC 650216
- Stainless steel slicing disc 6 mm (dia. 175mm) PNC 650217
- Stainless steel wavy slicing disc 3 mm (dia. 175mm) PNC 650218
- Stainless steel wavy slicing disc 5 mm (dia. 175mm) PNC 650219
- Aluminum slicing disc 8 mm (dia. 175mm) PNC 650220
- Aluminum slicing disc 10 mm (dia. 175mm) PNC 650221
- Dicing grid 8x8 (dia 175mm) PNC 650222
- Dicing grid 10x10 (dia 175mm) PNC 650223
- Dicing kit 8mm (aluminum slicer 8mm, grid 8x8mm) (dia. 175mm) PNC 650224
- Dicing kit 10mm (aluminum slicer 10mm, grid 10x10 mm) (dia. 175mm) PNC 650225
- Ejector for Vegetable Slicer PNC 650232
- Stainless steel slicing disc 4 mm (dia. 175mm) PNC 650237
- Support for 1 disc, diam. 175mm and 205mm PNC 653632



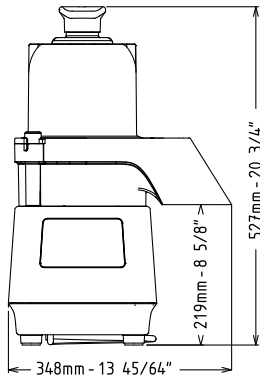
Vegetable Slicer
PREP4YOU Vegetable Slicer - Variable Speed - No discs included - UK
plug
The company reserves the right to make modifications to the products
without prior notice. All information correct at time of printing.

2024.03.19

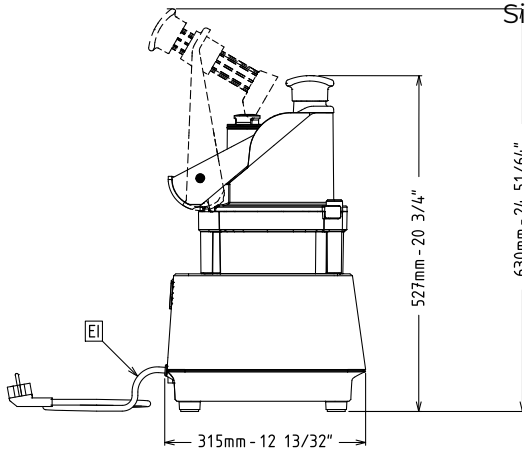


Vegetable Slicer PREP4YOU Vegetable Slicer - Variable Speed - No discs included - UK plug

Front

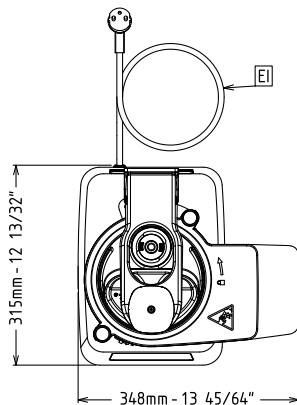


Side



EI = Electrical inlet
(power)

Top



Electric

Supply voltage:

600973 (DVSVSG)

220-240 V/1N ph/50/60 Hz

Electrical power max.:

0.75 kW

Total Watts:

0.75 kW

Capacity:

Performance (up to):

150 kg/hour

Key Information:

External dimensions,

Width:

348 mm

External dimensions,

Depth:

315 mm

External dimensions,
Height:

527 mm

Shipping weight:

19.6 kg



Vegetable Slicer
PREP4YOU Vegetable Slicer - Variable Speed - No discs included - UK
plug
The company reserves the right to make modifications to the products
without prior notice. All information correct at time of printing.

2024.03.19